

(EN) TECHNICAL PACK!
(DE) TECHNISCHES PAKK!
(FR) PACK TECHNIQUE!



ARRMA logo, Smart and SLT2 are trademarks or registered trademarks of Horizon Hobby Ltd. Horizon Hobby, LLC is a subsidiary of Horizon Hobby, LLC. ARRMA, the ARRMA logo, Smart and SLT2 are trademarks or registered trademarks of Horizon Hobby, LLC. The Freedom Flyer® trademark and associated marks are the property of Tonfooly Motorsports, Inc. and are used under license. The Spektrum trademark is used with permission of Bachmann Industries, Inc.

ARRMA®

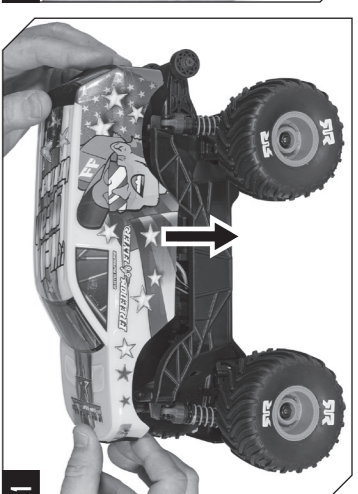
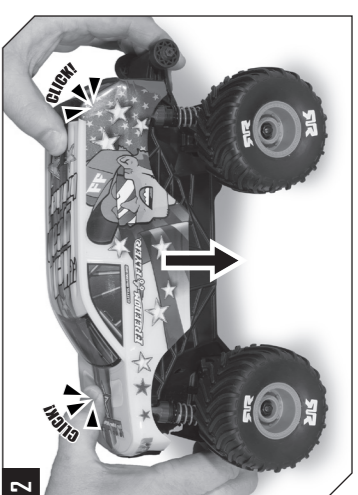
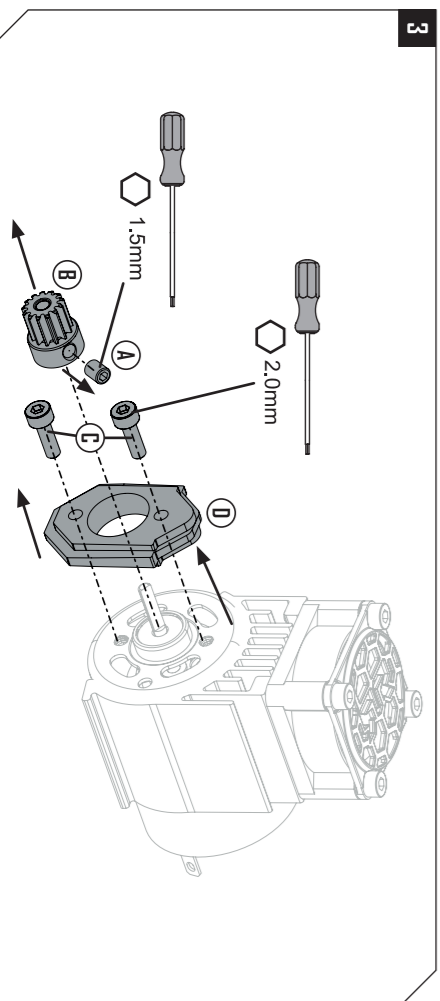
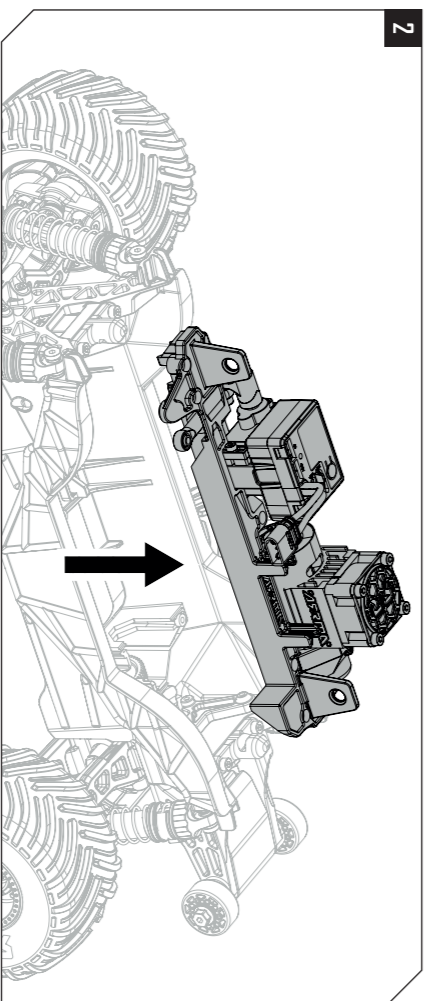
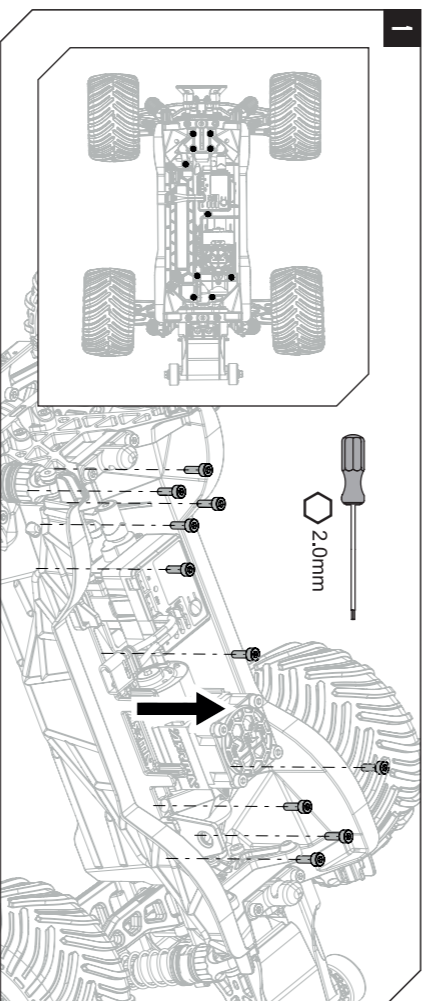
FREEDOM FLYER

GROM

(EN) HOW TO CHANGE THE PINION / MOTOR

(DE) SO WECHSELN SIE DAS RITZEL / DEN MOTOR

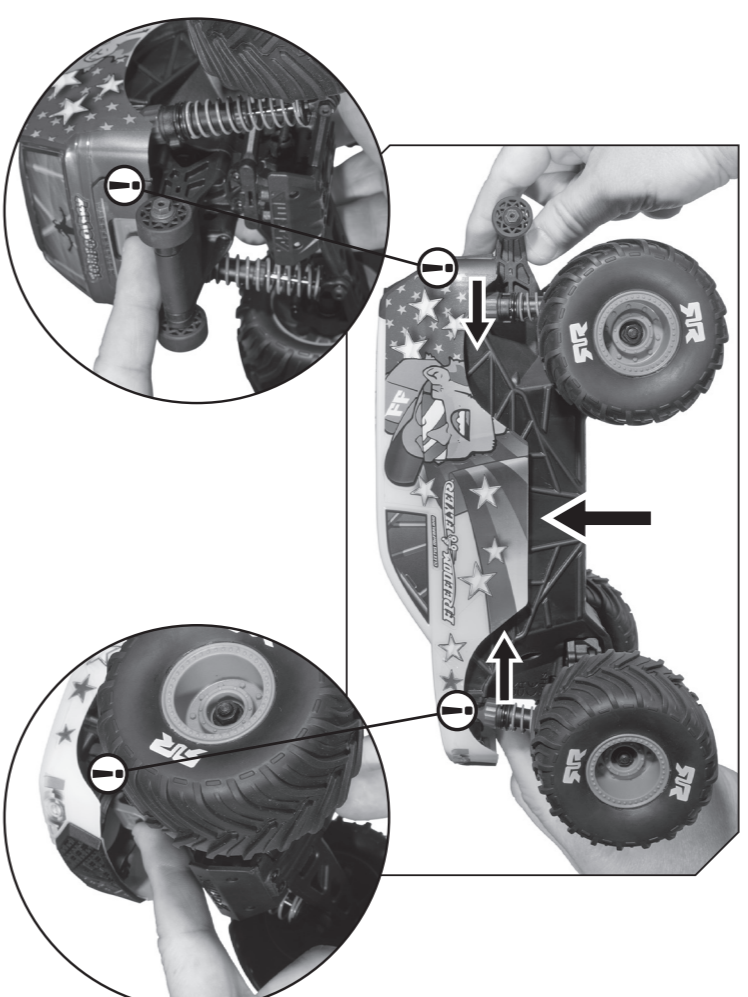
(FR) COMMENT CHANGER LE PIGNON / MOTEUR



(FR) INSTALLER LE CORPS (SANS CLIP)

(DE) KÖRPER EINBAUEN (KLICKLOS)

(EN) INSTALL BODY (CLIPLESS)



(FR) RETIRER LE CORPS (SANS CLIP)

(DE) KÖRPER ENTFERNEN (KLICKLOS)

(EN) REMOVE BODY (CLIPLESS)

(EN) Motor Mount Chart

(DE) Motormontagetabelle

(FR) Tableau de montage du moteur

Spur Gear | Stirradgetriebe
| Engrenage droit

	Pinion Gear Ritzel Pignon												
	13	14	15	16	17	18	19	20	21	22	23		
59 Tooth			X										
61 Tooth	A*	B	C	D	E	F	G	H	I				

*Installed / Installiert / Installé

ARA-2628	Pinion Gear 13T 0.5 MOD CNC 2.3mm Bore (STD)
ARA-2629	Pinion Gear 14T 0.5 MOD CNC 2.3mm Bore (OPT)
ARA-2630	Pinion Gear 15T 0.5 MOD CNC 2.3mm Bore (OPT)
ARA311202	Pinion Gear 16T 0.5 MOD CNC 2.3mm Bore (OPT)
ARA311203	Pinion Gear 17T 0.5 MOD CNC 2.3mm Bore (OPT)
ARA311204	Pinion Gear 18T 0.5 MOD CNC 2.3mm Bore (OPT)
ARA311205	Pinion Gear 19T 0.5 MOD CNC 2.3mm Bore (OPT)
ARA311206	Pinion Gear 20T 0.5 MOD CNC 2.3mm Bore (OPT)
ARA311207	Pinion Gear 21T 0.5 MOD CNC 2.3mm Bore (OPT)
ARA-2592	Spur Gear 611 MOD 0.5 - GROM (STD)
ARA311196	Spur Gear 59I MOD 0.5 - GROM (OPT)

