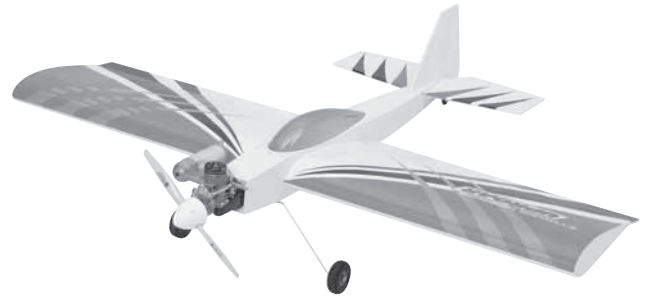
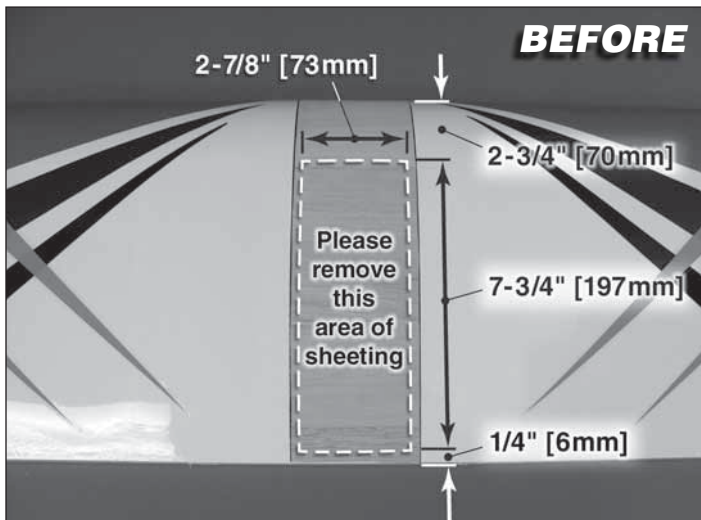


UPROAR

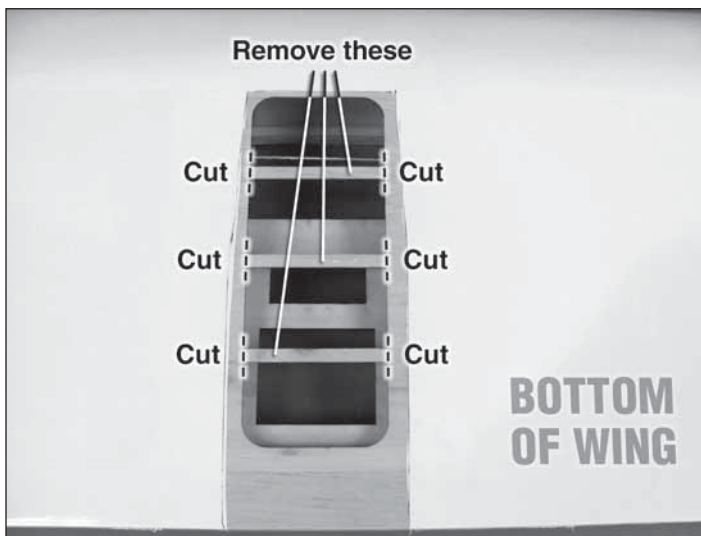
Technical Notice **ARF**



Please follow these additional steps to complete the Tower Uproar.



On Page 7, after completing step 8 it may be necessary to remove the balsa sheeting over the servo tray.



It also may be necessary to remove the cross braces on the bottom of the wing under the covering.